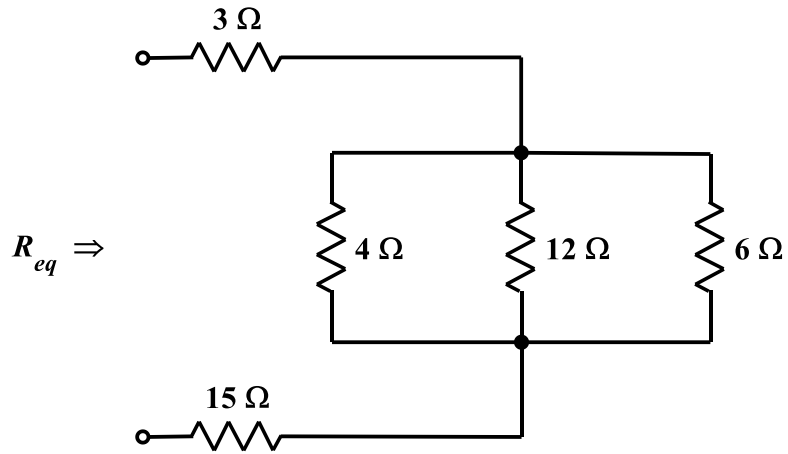


EE 2240
Homework Problem #007



Determine the value of R_{eq} .